

# LOW BOY TRANSMISSION JACKS

## 1-1/2 TON CAPACITY



**MODEL 57200**  
*Made in USA*

**MODEL 57200— *Made in USA***

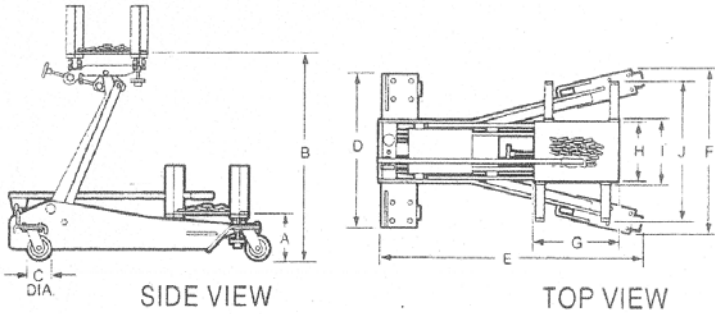
1-1/2 TON CAPACITY

### INTENDED USE

For heavy truck transmissions. Ideally suited for truck dealers, maintenance and heavy duty transmission repair centers.

### FEATURES

- Wide chassis with open front provides:
  - Wider opening for saddle and transmission to come lower to the ground for easy removal.
  - Efficient load distribution and stability.
  - Easy access to saddle tilt knobs.
- Fully adjustable universal saddle with adjustable arms to position the transmission.
- Heavy duty chain with convenient chain tensioner secures load to the saddle.
- Safety by-pass system prevents damage to the hydraulic cylinder
- Safety overload system prevents jack from being used beyond its rated capacity.
- Full 360 degree rotating handle operates in any position.
- Flashed chrome ram inhibits rust from entering the hydraulic system.
- Four full-swivel ball bearing caster wheels for easy positioning.



**OPTIONAL ADAPTERS ON PAGE 5**  
**Model 57202 and 57203**

MODEL NUMBER	CAPACITY	A	B	C	D	E	F	G	H	I	J	SADDLE TILT			SHIPPING WT (lbs)
												Fwd.	Back	Side	
57200	1-1/2 TON	7.75"	36.5"	4"	25"	45"	28"	15.25"	10.25"	11"	26"	27°	17°	±15°	310

**MODEL 57201— *Made in USA***

1-1/2 TON CAPACITY— **WIDE STANCE**

### INTENDED USE

Same as the model 57200 but with a wider chassis opening plus a broader lift range to handle a larger variety of transmission configurations.

- Fully adjustable saddle with adjustable angle brackets to position the transmission.
- Four 4" high riser tubes to handle transmissions with offset transfer cases.
- Four heavy duty ratchet tie-downs conveniently secure the load to the lifting saddle.
- Safety by-pass and overload systems to prevent cylinder damage and prevent the jack from being used beyond its rated capacity.
- Full 360 degree rotating handle operates in any position.
- Flash chromed ram inhibits rust from entering the hydraulic system
- Four full-swivel ball bearing caster wheels for easy positioning.



**MODEL 57201**  
*Made in USA*

MODEL NUMBER	CAPACITY	LIFT RANGE		CASTER WHEEL DIA.	CHASSIS			SADDLE SIZE		SADDLE TILT			SHIPPING Wgt
		LOW	HIGH		WIDTH	LENGTH	HEIGHT	WIDTH	LENGTH	Fwd	Back	Side	
57201	1-1/2 TON	4.75"	36.5"	4"	32.75"	43.25"	12"	18.25"	15.25"	20°	20°	± 11°	414 lbs