

Garage Stands 3, 6 & 10 Ton Capacity



3 Ton
D-41609



6 Ton
D-41610

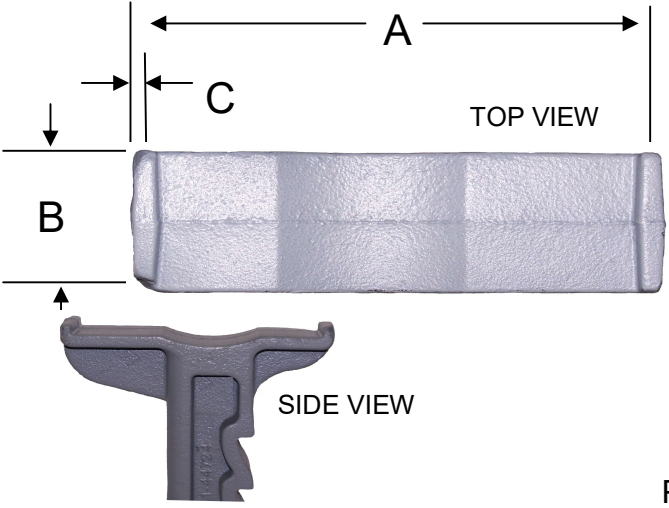
Capacity (Tons)	Model Number	Low Height	Maximum Height	Base Dimension		Shipping Weight/PR
				L	W	
3	D-41609	11"	17-3/4"	10"	10"	17 LBS.
6	D-41610	16-1/4"	25-1/4"	11"	11"	32 LBS.
10	D-41608	19"	28-1/2"	13-1/2"	13-1/2"	75 LBS.

**GARAGE STANDS
FEATURES:**

- "Double lock security system" utilizes two pawls to engage two teeth on the load bar.
- Rated capacity is PER PAIR – stands are packaged in **PAIRS**. U.S. Jack stands are designed to support rated capacity, partial vehicle loads consisting of one end of a vehicle. Use as a matched pair to support one end of a vehicle only.
- Ten ton features heavy gauge formed steel angle legs, perimeter braced and welded while the 3-ton and 6-ton stands have stamped legs held in position by an outside perimeter ring welded to the legs. All stands have ductile iron load bars.



10 Ton
D-41608



PAWL PAD DIMENSION

MODEL	A	B	C
D-41609	4.5"	1.25"	0.25"
D-41610	5.6"	1.36"	0.28"
D-41608	6"	2"	0.36"